

Infinite System Specification

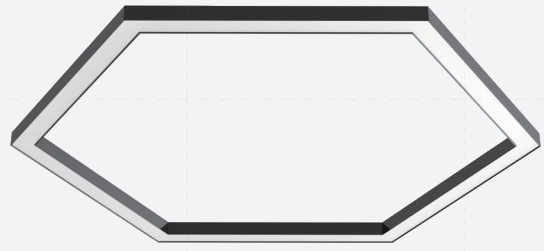
— Hexagon series



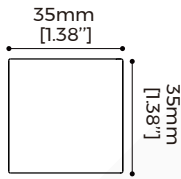
H-RS3535D
H-RS5035D
H-RS7035D
H-RS3535P
H-RS5035P
H-RS7035P



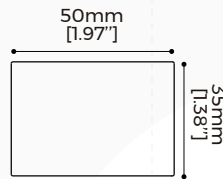
Optical: Diffuser



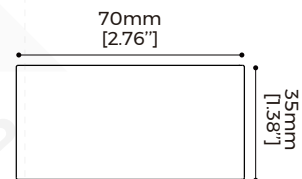
Optical: Prismatic



Model:
H-RS3535D
H-RS3535P



Model:
H-RS5035D
H-RS5035P



Model:
H-RS7035D
H-RS7035P

© Basic Information

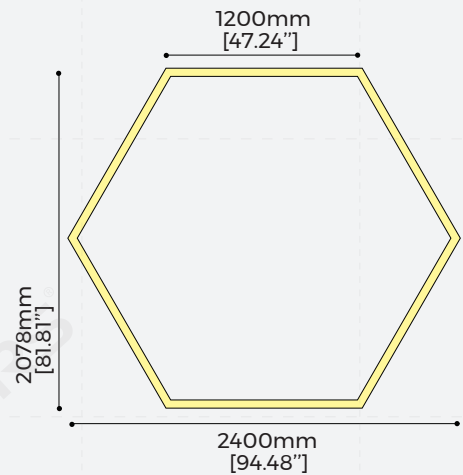
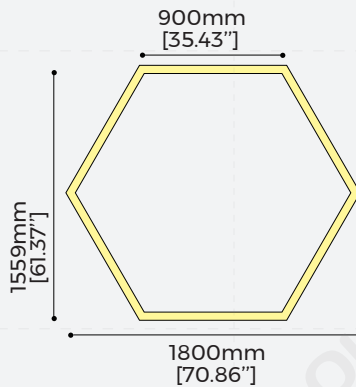
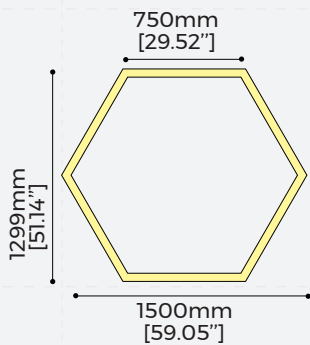
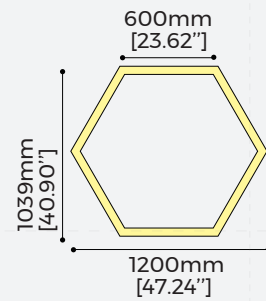
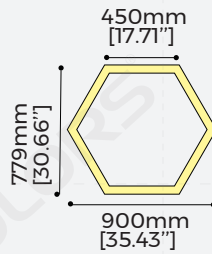
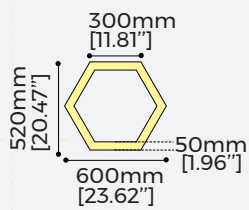
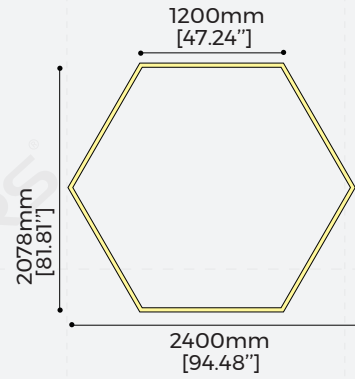
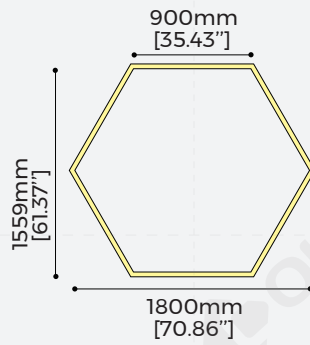
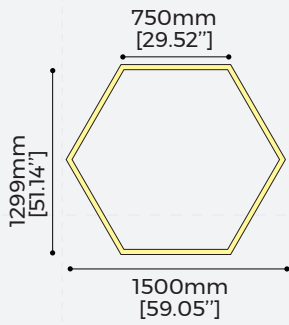
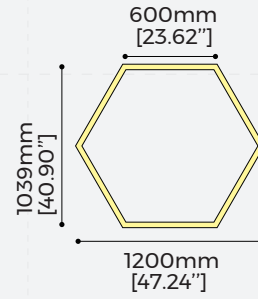
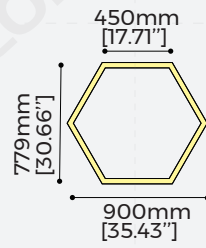
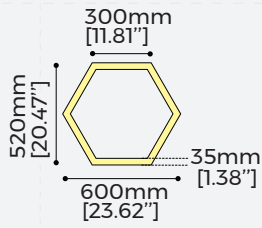
Light efficiency

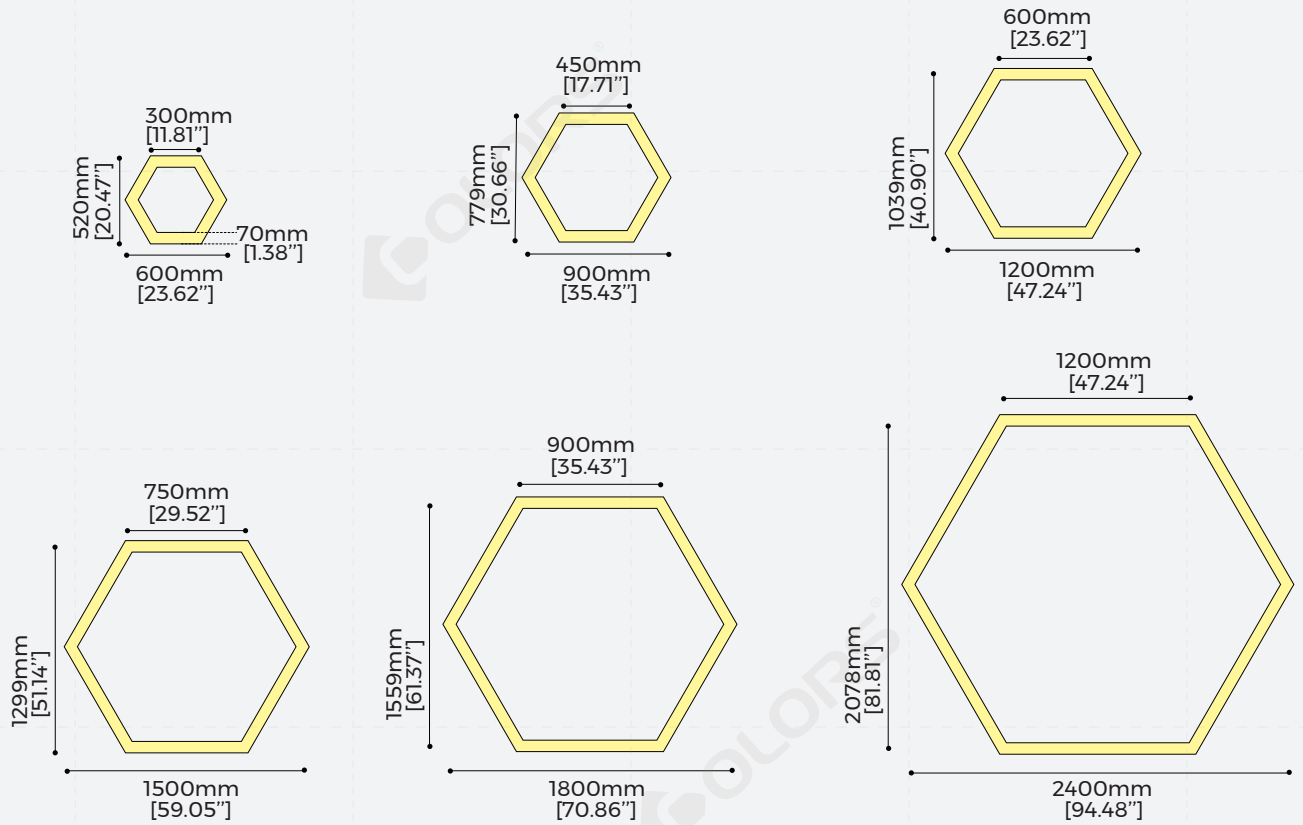
H-RS3535D 100LM/W(Regular), 120LM/W(High-Efficiency)	H-RS3535P 85LM/W(Regular), 105LM/W(High-Efficiency)
H-RS5035D 100LM/W(Regular), 120LM/W(High-Efficiency)	H-RS5035P 90LM/W(Regular), 105LM/W(High-Efficiency)
H-RS7035D 110LM/W(Regular), 135LM/W(High-Efficiency)	H-RS7035P 100LM/W(Regular), 120LM/W(High-Efficiency)

Common information

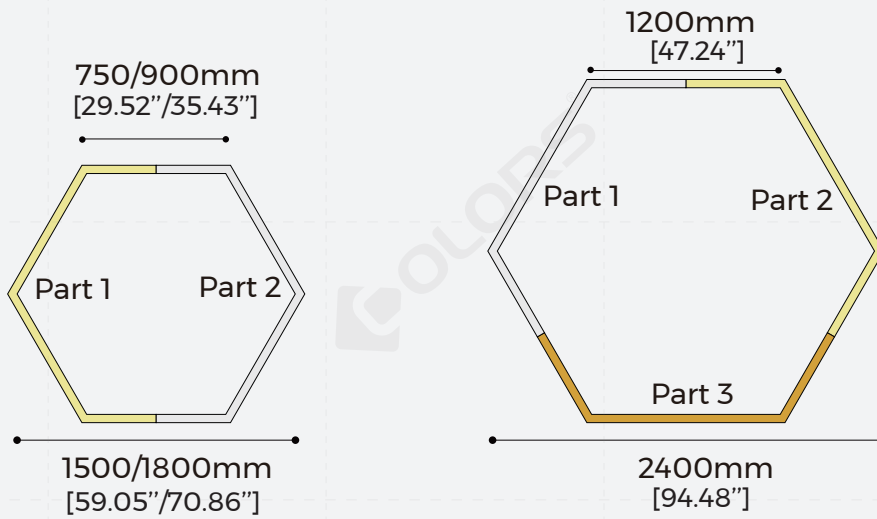
- Material: AL6063-T5, spraying surface
- Color: Black/White/Silver/Orange/Blue/Green /Rose gold/Champagne gold
- Side length: 300/450/600/750/900/1200mm optional
- IP grade: IP20
- CCT: 2700/3000/3500/4000/5000/6500K
- CRI: >80/>90
- SDCM: ≤3 Step
- Dimming method: Non-dimming, 1-10V, DALI2+PUSH
- Application: Indoor
- Installation: Ceiling/Pendant
- Certification: CE, UKCA, ROHS, REACH, CB, ENEC, ETL, LM-80
- Warranty: 5 years

© Product Dimension Information





Case 1: For side length $\leq 600\text{mm}$, the lamp is to be produced as complete unit.



Case 2: For side length $> 600\text{mm}$, the lamp is to be divided into parts

© Luminaire Parameters

Model	Version	Length (mm)	Type Power (W/PCS)	Input Voltage (V)	Input Current (mA)	CRI	Lumens (LM/PCS)	CCT
H-RS3535D	Regular	300 [0.98ft]	35	AC200-240V	180	>80	3500	2700K 3000K 3500K 4000K 5000K 6500K
						>90	3010	
		450 [1.47ft]	54	AC200-240V	270	>80	5400	
						>90	4644	
		600 [1.97ft]	72	AC200-240V	360	>80	7200	
						>90	6192	
		750 [2.46ft]	90	AC200-240V	450	>80	9000	
						>90	7740	
		900 [2.95ft]	108	AC200-240V	550	>80	10800	
						>90	9288	
		1200 [3.94ft]	144	AC200-240V	730	>80	14400	
						>90	12384	
	High-Efficiency	300 [0.98ft]	35	AC200-240V	180	>80	4200	
						>90	3612	
		450 [1.47ft]	54	AC200-240V	270	>80	6480	
						>90	5573	
		600 [1.97ft]	72	AC200-240V	360	>80	8640	
						>90	7430	
		750 [2.46ft]	90	AC200-240V	450	>80	10800	
						>90	9288	
		900 [2.95ft]	108	AC200-240V	550	>80	12960	
						>90	11146	
		1200 [3.94ft]	144	AC200-240V	730	>80	17280	
						>90	14861	

Model	Version	Length (mm)	Type Power (W/PCS)	Input Voltage (V)	Input Current (mA)	CRI	Lumens (LM/PCS)	CCT
H-RS3535P	Regular	300 [0.98ft]	35	AC200-240V	180	>80	2975	2700K 3000K 3500K 4000K 5000K 6500K
						>90	2559	
		450 [1.47ft]	54	AC200-240V	270	>80	4590	
						>90	3947	
		600 [1.97ft]	72	AC200-240V	360	>80	6120	
						>90	5263	
		750 [2.46ft]	90	AC200-240V	450	>80	7650	
						>90	6579	
		900 [2.95ft]	108	AC200-240V	550	>80	9180	
						>90	7895	
		1200 [3.94ft]	144	AC200-240V	730	>80	12240	
						>90	10526	
	High-Efficiency	300 [0.98ft]	35	AC200-240V	180	>80	3675	
						>90	3161	
		450 [1.47ft]	54	AC200-240V	270	>80	5670	
						>90	4876	
		600 [1.97ft]	72	AC200-240V	360	>80	7560	
						>90	6502	
		750 [2.46ft]	90	AC200-240V	450	>80	9450	
						>90	8127	
		900 [2.95ft]	108	AC200-240V	550	>80	11340	
						>90	9752	
		1200 [3.94ft]	144	AC200-240V	730	>80	15120	
						>90	13003	

Model	Version	Length (mm)	Type Power (W/PCS)	Input Voltage (V)	Input Current (mA)	CRI	Lumens (LM/PCS)	CCT
H-RS5035D	Regular	300 [0.98ft]	45	AC200-240V	230	>80	4500	2700K 3000K 3500K 4000K 5000K 6500K
						>90	3870	
		450 [1.47ft]	66	AC200-240V	330	>80	6600	
						>90	5676	
		600 [1.97ft]	90	AC200-240V	450	>80	9000	
						>90	7740	
		750 [2.46ft]	110	AC200-240V	560	>80	11000	
						>90	9460	
		900 [2.95ft]	132	AC200-240V	670	>80	13200	
						>90	11352	
		1200 [3.94ft]	176	AC200-240V	890	>80	17600	
						>90	15136	
	High-Efficiency	300 [0.98ft]	45	AC200-240V	230	>80	5400	
						>90	4644	
		450 [1.47ft]	66	AC200-240V	330	>80	7920	
						>90	6811	
		600 [1.97ft]	90	AC200-240V	450	>80	10800	
						>90	9288	
		750 [2.46ft]	110	AC200-240V	560	>80	13200	
						>90	11352	
		900 [2.95ft]	132	AC200-240V	670	>80	15840	
						>90	13622	
		1200 [3.94ft]	176	AC200-240V	890	>80	21120	
						>90	18163	

Model	Version	Length (mm)	Type Power (W/PCS)	Input Voltage (V)	Input Current (mA)	CRI	Lumens (LM/PCS)	CCT
H-RS5035P	Regular	300 [0.98ft]	45	AC200-240V	230	>80	4050	2700K 3000K 3500K 4000K 5000K 6500K
						>90	3483	
		450 [1.47ft]	66	AC200-240V	330	>80	5940	
						>90	5108	
		600 [1.97ft]	90	AC200-240V	450	>80	8100	
						>90	6966	
	750 [2.46ft]	110	AC200-240V	560	>80	9900		
					>90	8514		
	900 [2.95ft]	132	AC200-240V	670	>80	11880		
					>90	10217		
	1200 [3.94ft]	176	AC200-240V	890	>80	15840		
					>90	13622		
	High-Efficiency	300 [0.98ft]	45	AC200-240V	230	>80	4725	
						>90	4064	
		450 [1.47ft]	66	AC200-240V	330	>80	6930	
						>90	5960	
		600 [1.97ft]	90	AC200-240V	450	>80	9450	
						>90	8127	
750 [2.46ft]	110	AC200-240V	560	>80	11550			
				>90	9933			
900 [2.95ft]	132	AC200-240V	670	>80	13860			
				>90	11920			
1200 [3.94ft]	176	AC200-240V	890	>80	18480			
				>90	15893			

Model	Version	Length (mm)	Type Power (W/PCS)	Input Voltage (V)	Input Current (mA)	CRI	Lumens (LM/PCS)	CCT
H-RS7035D	Regular	300 [0.98ft]	58	AC200-240V	290	>80	6380	2700K 3000K 3500K 4000K 5000K 6500K
						>90	5487	
		450 [1.47ft]	90	AC200-240V	450	>80	9900	
						>90	8514	
		600 [1.97ft]	116	AC200-240V	590	>80	12760	
						>90	10974	
		750 [2.46ft]	148	AC200-240V	750	>80	16280	
						>90	14001	
		900 [2.95ft]	176	AC200-240V	890	>80	19360	
						>90	16650	
		1200 [3.94ft]	235	AC200-240V	1190	>80	25850	
						>90	22231	
	High-Efficiency	300 [0.98ft]	58	AC200-240V	290	>80	7830	
						>90	6734	
		450 [1.47ft]	90	AC200-240V	450	>80	12150	
						>90	10449	
		600 [1.97ft]	116	AC200-240V	590	>80	15660	
						>90	13468	
		750 [2.46ft]	148	AC200-240V	750	>80	19980	
						>90	17183	
		900 [2.95ft]	176	AC200-240V	890	>80	23760	
						>90	20434	
		1200 [3.94ft]	235	AC200-240V	1190	>80	31725	
						>90	27284	

Model	Version	Length (mm)	Type Power (W/PCS)	Input Voltage (V)	Input Current (mA)	CRI	Lumens (LM/PCS)	CCT
H-RS7035P	Regular	300 [0.98ft]	58	AC200-240V	290	>80	5800	2700K 3000K 3500K 4000K 5000K 6500K
						>90	4988	
		450 [1.47ft]	90	AC200-240V	450	>80	9000	
						>90	7740	
		600 [1.97ft]	116	AC200-240V	590	>80	11600	
						>90	9976	
	750 [2.46ft]	148	AC200-240V	750	>80	14800		
					>90	12728		
	900 [2.95ft]	176	AC200-240V	890	>80	17600		
					>90	15136		
	1200 [3.94ft]	235	AC200-240V	1190	>80	23500		
					>90	20210		
	High-Efficiency	300 [0.98ft]	58	AC200-240V	290	>80	6960	
						>90	5986	
450 [1.47ft]		90	AC200-240V	450	>80	10800		
					>90	9288		
600 [1.97ft]		116	AC200-240V	590	>80	13920		
					>90	11971		
750 [2.46ft]	148	AC200-240V	750	>80	17760			
				>90	15274			
900 [2.95ft]	176	AC200-240V	890	>80	21120			
				>90	18163			
1200 [3.94ft]	235	AC200-240V	1190	>80	28200			
				>90	24252			

Note:

1. The output data is based on white coated luminaire with Ra80,4000K.
2. The above Lumens data are at 4000K color temperature.
3. High-efficiency version does not do 3500K and 5000K
4. The tolerance of output data can be vary up to 15%.
5. The output data is typical value.
6. The following is an example of lumen conversion instructions:

CCT	RA	Ratio of lumens (white coated luminaire)	Ratio of lumens (Other coated colors of luminaire)
2700K	80	90%	Calculate white coated luminaire lumens first, then multiply by 90 %
	90	77%	
3000K	80	93%	
	90	80%	
3500K	80	97%	
	90	83%	
4000K	80	100%	
	90	86%	
5000K	80	100%	
	90	86%	
6500K	80	100%	
	90	86%	

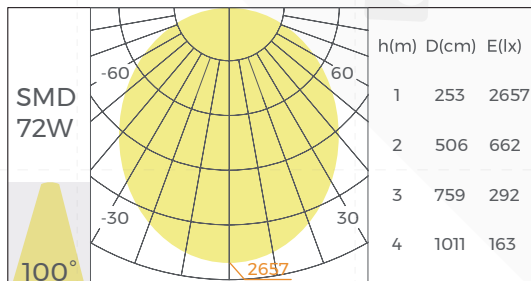
Note: All other lumens are to be based on white coated luminaire with 4000K, RA80(100%); and multiplied by the percentage in the table above.

Assuming a 4000K, RA80 white coated luminaire with 1000lm lumens:

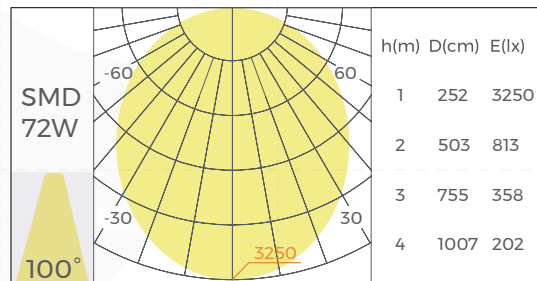
Example 1: If you need 4000K, RA90 lumens (white coated luminaire)	$1000 \times 86\% = 860\text{lm}$
Example 2: If you need 4000K, RA90 lumens (other coated colors of luminaire)	$1000 \times 86\% \times 90\% = 774\text{lm}$
Example 3: If you need 3000K, RA80 lumens (white coated luminaire)	$1000 \times 93\% = 930\text{lm}$
Example 4: If you need 3000K, RA90 lumens (white coated luminaire)	$1000 \times 80\% = 800\text{lm}$
Example 5: If you need 5000K, RA80 lumens (white coated luminaire)	$1000 \times 100\% = 1000\text{lm}$

© Optical Parameter

[H-RS3535D]



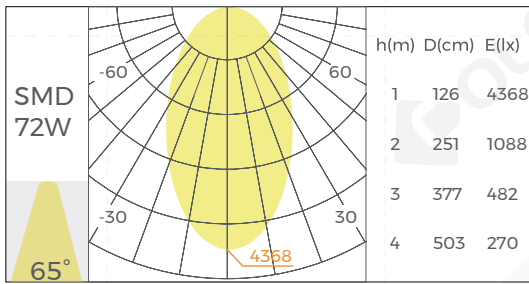
Regular version



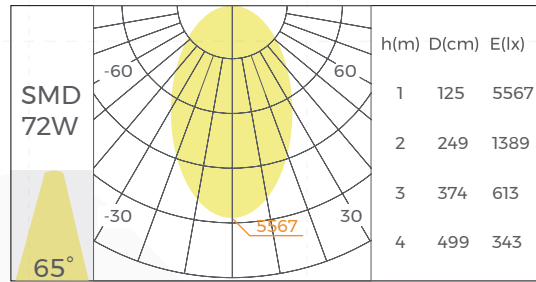
High-efficiency version

*The above data is based on a 600mm side length luminaire with Ra80,4000K.

【H-RS3535P】



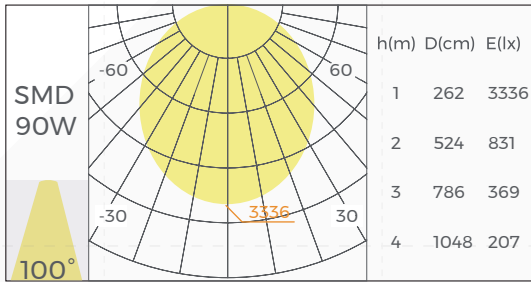
Regular version



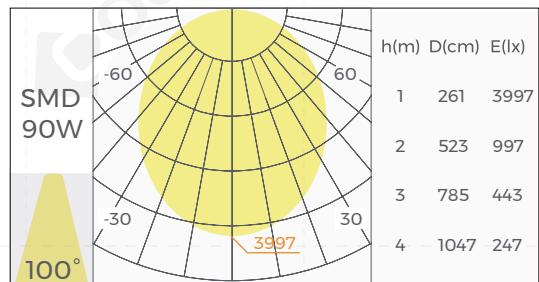
High-efficiency version

*The above data is based on a 600mm side length luminaire with Ra80,4000K.

【H-RS5035D】



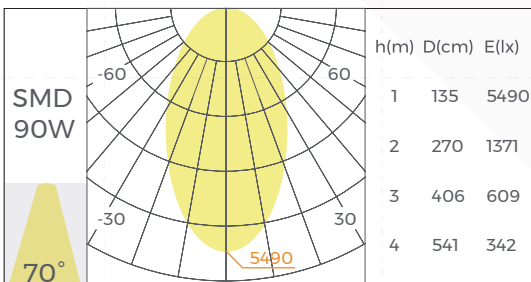
Regular version



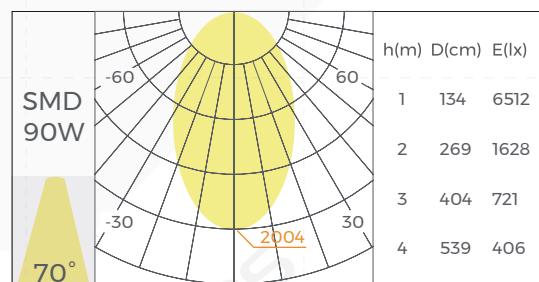
High-efficiency version

*The above data is based on a 600mm side length luminaire with Ra80,4000K.

【H-RS5035P】



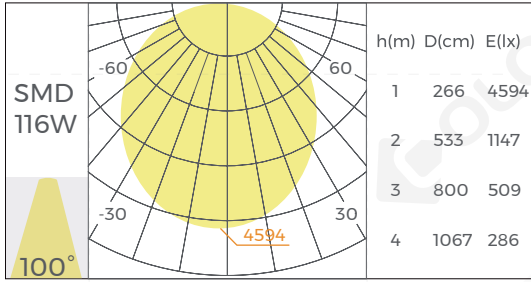
Regular version



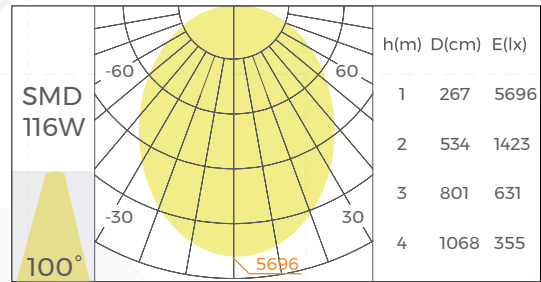
High-efficiency version

*The above data is based on a 600mm side length luminaire with Ra80,4000K.

【H-RS7035D】



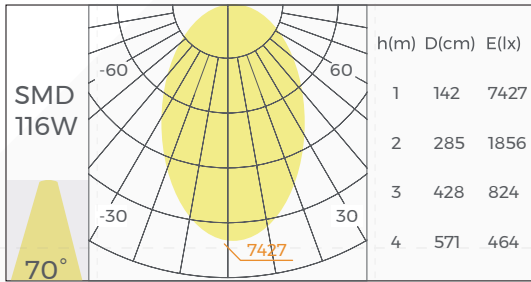
Regular version



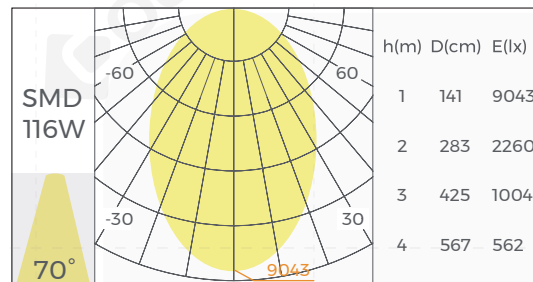
High-efficiency version

*The above data is based on a 600mm side length luminaire with Ra80,4000K.

【H-RS7035P】



Regular version



High-efficiency version

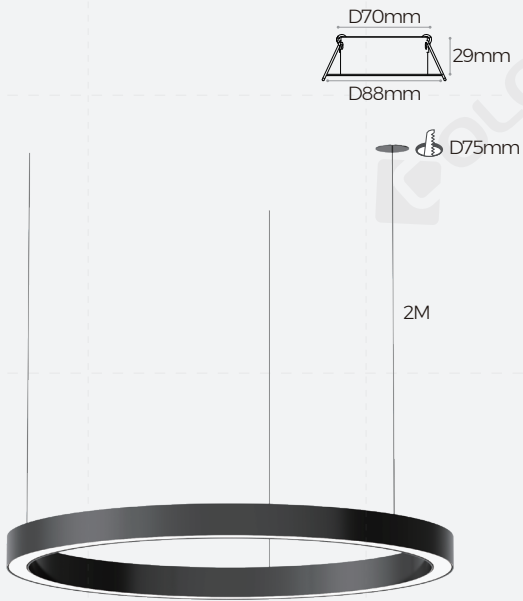
*The above data is based on a 600mm side length luminaire with Ra80,4000K.

◎ Installation

External power supply



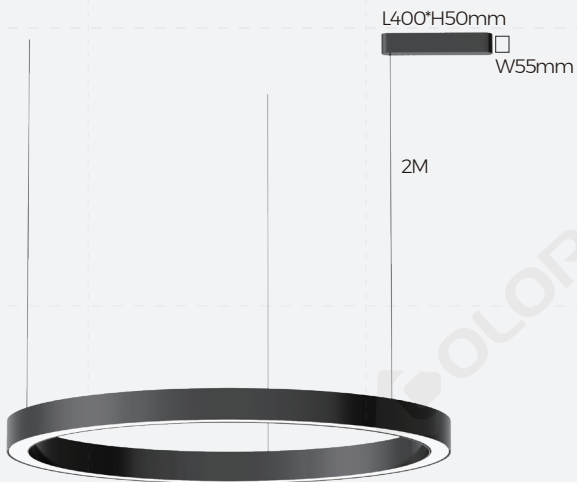
Ceiling



Ceiling plate
(With Steel Wire Rope)



Ceiling plate
(With Rod)



Linear Power Box
(With Steel Wire Rope)



Linear Power Box
(With Rod)

Note:

1. The above illustration shows the installation method.
2. The above luminaire shapes are for installation illustration only.

◎ Packing

Model	Quantity (PCS/carton)	NW (kg/carton)	GW (kg/carton)	Size (mm/carton)
H-RS3535D0300(R)-N840W035	4	5.58	7.98	680*580*380 [26.77"*22.83"*14.96"]
H-RS3535D0450(R)-N840W054	4	8.21	11.41	960*850*380 [37.79"*33.46"*14.96"]
H-RS3535D0600(R)-N840W072	4	10.80	14.80	1260*1090*380 [49.60"*42.91"*14.96"]
H-RS3535D0750(R)-N840W090	4	13.50	18.30	1350*800*520 [53.14"*31.49"*20.47"]
H-RS3535D0900(R)-N840W108	2	8.10	10.90	1350*800*260 [53.14"*31.49"*10.23"]
H-RS3535D1200(R)-N840W144	2	10.80	14.00	1860*570*460 [73.22"*22.44"*18.11"]
H-RS5035D0300(R)-N840W045	4	7.07	9.47	680*580*380 [26.77"*22.83"*14.96"]
H-RS5035D0450(R)-N840W066	4	10.40	13.60	960*850*380 [37.79"*33.46"*14.96"]
H-RS5035D0600(R)-N840W090	4	13.68	17.68	1260*1090*380 [49.60"*42.91"*14.96"]
H-RS5035D0750(R)-N840W110	4	17.10	21.90	1350*800*520 [53.14"*31.49"*20.47"]
H-RS5035D0900(R)-N840W132	2	10.26	13.06	1350*800*260 [53.14"*31.49"*10.23"]
H-RS5035D1200(R)-N840W176	2	13.68	16.88	1860*570*460 [73.22"*22.44"*18.11"]
H-RS7035D0300(R)-N840W058	4	8.56	10.96	680*580*380 [26.77"*22.83"*14.96"]
H-RS7035D0450(R)-N840W090	4	12.59	15.79	960*850*380 [37.79"*33.46"*14.96"]
H-RS7035D0600(R)-N840W116	4	16.56	20.56	1260*1090*380 [49.60"*42.91"*14.96"]

Model	Quantity (PCS/carton)	NW (kg/carton)	GW (kg/carton)	Size (mm/carton)
H-RS7035D0750(R)-N840W148	4	20.70	25.50	1350*800*520 [53.14"*31.49"*20.47"]
H-RS7035D0900(R)-N840W176	2	12.42	15.22	1350*800*260 [53.14"*31.49"*10.23"]
H-RS7035D1200(R)-N840W235	2	16.56	19.76	1860*570*460 [73.22"*22.44"*18.11"]

Note:

- Lamps packaged without inner box, directly use the outer box.
- Use one outer box for each lamp, and then use the wrap and corner protectors to tie them together according to the quantity of carton above.
- The above weight data is for reference, the exact data should be based on the weight of the physical weighing shall prevail.

Model Code



Attentions

- Non-professionals are prohibited from installing, disassembling and repairing the product.
- Avoid scratching, distortion and irregular bending of the product during installation; otherwise it may cause irreparable damage to the product.
- Please use professional cutting tools when cutting
- Do not use any acid or alkaline adhesive to fix products
- The product is only suitable for indoor dry places, can not be used in outdoor, seaside or wet environment.
- PC features: Each 10°C rise or drop will make diffuser extend or shrink 0.8mm/m, please confirm before processing and use